

USER MANUAL: WATER BOILER DOUBLE LAYER



To ensure your safety and the correct use of this device, please read the following instructions carefully before operating it.



Contents

1- Instruction for use	3
2- Repair and maintenance	4
3- Notice	4
4- Features	6
5- Circuit diagram	7
6- Usage parameters	7
7- Product dispose	8
8- Exploded view / Spare parts	9



1- Instruction for use

1. Place the water boiler on a flat, smooth, dry and stable table, then pour in water (clean the inner tank for the first time), the amount of water should not be over the "FULL" water fill line.
2. The plug should be connected to the earth block.
3. The following product instruction is for style A :
 - (1) Model A1 with an adjustable thermostat (mechanical), operate instruction as below :

A- Connect the power and press the "ON" button, then turn on the thermostat knob by clockwise rotation, adjusted to 100°C. If in highland area, the boiling point will come down, and the temperature will be lower, should adjust the thermostat to the suitable position. The red indicator lamp lights up, then the water boiler will start heating. When reach the setting temperature, the boiler will stop heating and return to KEEP WARM, then the yellow indicator lamp lights up, the boiled water is drinkable. If the water keeps boiling, please switch the thermostat knob by anticlockwise rotation until stop heating.

B- When the water boiler is in KEEP WARM mode, you may switch the thermostat to an high temperature as the red indicator lamp lighting, it will start reheating. If the water is boiling, switch off the thermostat and stop. Please note that do not drink the repeated boiling water.

- (2) Model A2 (general), operate instruction as below :

Connect the power and press the "ON" button, the red indicator lamp lights up, then the water boiler will start heating and return to KEEP WARM, then the yellow indicator lamp lights up, the boiled water is drinkable. When the temperature goes down, it will start heating again. Press the "OFF" button, it will stop.

Remind : Please choose the suitable instruction for the products accordingly.



2- Repair and maintenance

- Clean the water boiler regularly. Immersing the boiler with vinegar could remove the scale. Keep the water over 90°C for 2 hours, discard the water and then rinse. In addition, you may put 5g of citric acid into the water and boil for an hour. Remove the scale, discard the water and rinse.
- When cleaning the surface, wipe the stains with a soft cloth. Do not rinse or spray directly, that will cause leakage. After use and before cleaning, switch the product off, and turn the power supply off.
- When not used for a long time, it should be cleaned, dried and put back in the original packaging box, and stored in a dry place.
- After use for a period of time, the container may fade because of the oxidation of iron in running water. Handle it as following : Use a cloth, wrap a quarter lemon and put it into the boiler. Pour the water in the boiler to the "FULL" water fill line. Boiling the water to 90°C and keep for one hour. Discard the water and then wash out the boiler with a nylon brush. That will solve the fading. If you want to reduce the smell of lemon, boil water and pour out again.

3- Notice

- Carefully read all instructions before operating your new product.
- Do not immerse the product in water for cleaning, nor spraying. Only be wiped with a dry cloth.
- Should leaking be found in the water boiler, please do not use the boiler and immediately return it to the relevant maintenance center of repair.
- Do not position the boiler near flammable and explosive objects, or be used in corrosive environment.
- Keep the water boiler away from children to avoid injuries. The surface will become very hot during operation. Avoid touching the metal parts.
- This appliance is not intended for use by persons (including children) with reduced physical, sensory or mental capabilities or lack of experience and knowledge.
- Before operating the boiler, fill in amount of water, the connect the power. The dry-burning will cause the overheat protection system to operate and could reduce the life of the element.
- Do not use a simple socket to connect the power for operation.
- The power outlet should have a reliable earth wire, ensure the product is in good condition of grounded when operating. And the electric leakage protective switch shall be installed.



- Do not fill the product past the “FULL” water fill line.
- If the supply cord is damaged, it must be replaced by the manufacturer, its service agent or similarly qualified person in order to avoid hazards.
- If the product is dry-burning, switch off the power; Pouring water in it when the temperature comes down, then restart the product. If it cannot work, it should be repaired.
- Do not move the product with the handles, or they will be broken. Locked the cover before moving to avoid the touch handles broken.
- Due to the different models have distinctions in the operation, and no detail specifications in here, please refer to the warming and instructions attached of each product.
- When boiling water with the max capacity, some boiled water may spray out from the seam between lid and barrel.
- If the thermostat was set to 100°C or more, the device will repeat boiling or keep boiling after the water was boiled.

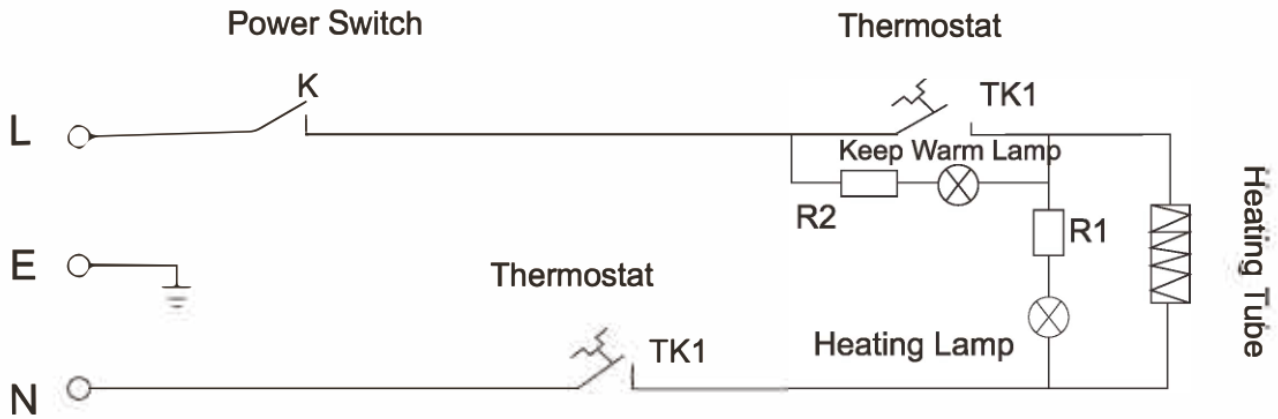
4- Features



1 : Touch handle
 2 : Handle
 3 : Water gauge
 4 : Faucet
 5 : Indicator lamp
 6- ON/OFF switch

7 : Thermostat
 8 : Body
 9 : Lid
 10 : Base
 11 : Fixing base

5- Circuit diagram



6- Usage parameters

Tension	Fréquence	Puissance
220-240V	50/60Hz	1500W
220-240V	50/60Hz	1500W
220-240V	50/60Hz	1500W
220-240V	50/60Hz	1500W
220-240V	50/60Hz	2500W
220-240V	50/60Hz	2500W
220-240V	50/60Hz	2500W
220-240V	50/60Hz	2500W
220-240V	50/60Hz	1500W
220-240V	50/60Hz	1500W
220-240V	50/60Hz	1500W
220-240V	50/60Hz	1500W
220-240V	50/60Hz	2500W
220-240V	50/60Hz	2500W
220-240V	50/60Hz	2500W
220-240V	50/60Hz	2500W

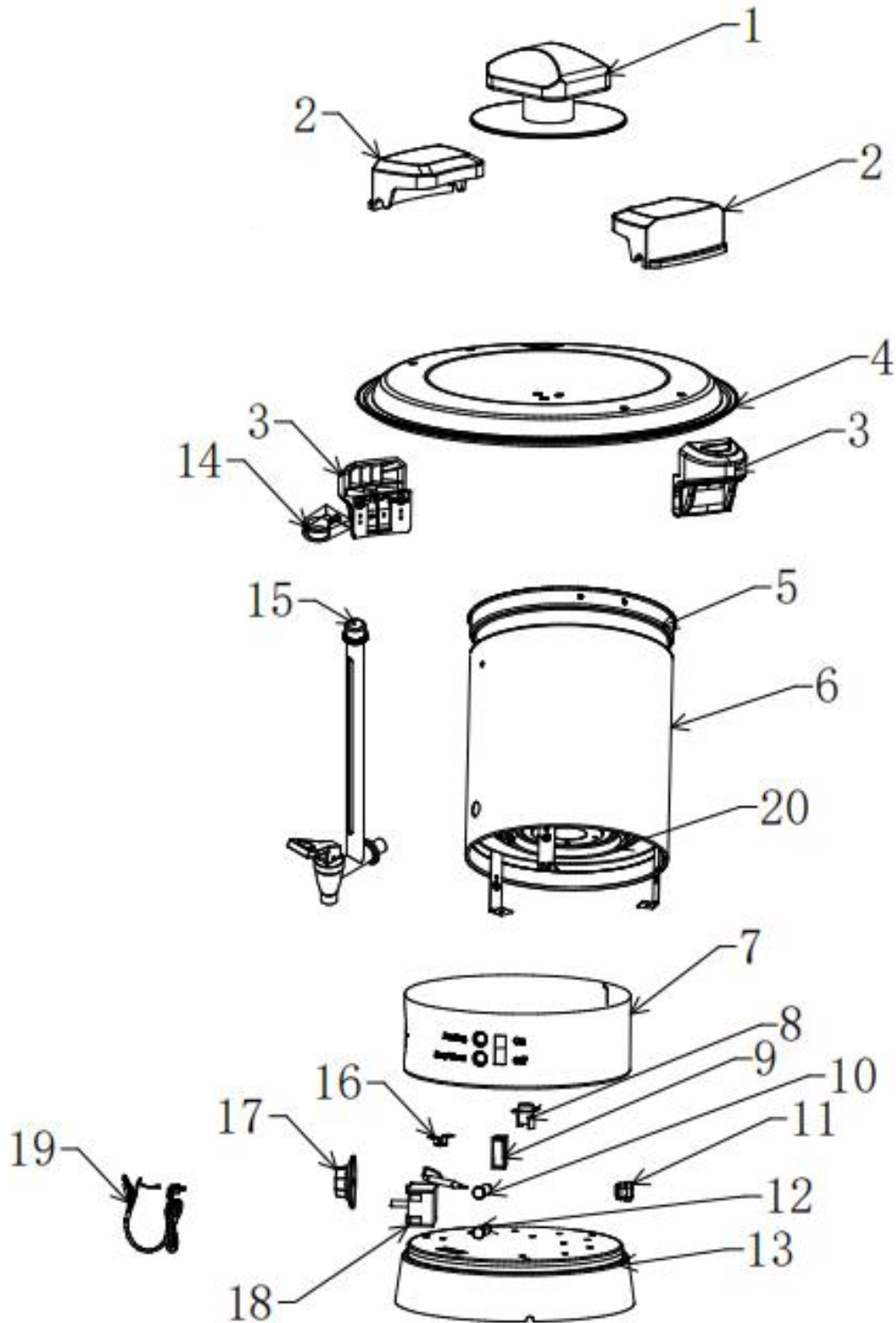
7- Product dispose



The WEEE symbol on this item indicates that this appliance needs to be disposed of in an environmentally friendly way when it becomes of no further use or has worn out. Please contact your local authority for details of where to take the item for recycling.



8- Exploded view / Spare parts



NUMERO	DESIGNATION GB	DESIGNATION FR	REFERENCE
1	handle of cover	Poignée du couvercle	Non disponible en PD
2	handle of body	Poignée de l'appareil	Non disponible en PD
3	handle of body	Poignée de l'appareil	Non disponible en PD
4	lid	Couvercle	Non disponible en PD
5	body+bottom+Barrel feet	Corps de l'appareil + socle + pieds	Non disponible en PD
6	Outer cover	Paroi extérieure	Non disponible en PD
7	fixing base	Socle de fixation	Non disponible en PD
8	temperature safe switch	Interrupteur de sécurité thermique	KS08
9	switch	Bouton M/A	KS09
10	indicator lamp-red	Voyant lumineux rouge	KS10
11	wire clip	Fixation de câble	Non disponible en PD
12	indicator lamp-yellow	Voyant lumineux jaune	KS12
13	base	Socle	KS13
14	PC water gauge fixing base	Base de fixation de la jauge d'eau	KS14
15	PC water gauge + tap	Jauge d'eau + robinet	KS15
16	wire clip	Fixation de câble	Non disponible en PD
17	Knob	Bouton réglage température	KS17
18	thermostat	Thermostat	KS18
19	power cord + plug	Câble d'alimentation + prise	KS19
20	heating tray	Plateau chauffant	Non disponible en PD



CE